

**StamFord Power : ژنراتور**

**lovol : موتور دیزل**

| Standby |    | Prime |    | دیزل ژنراتور |
|---------|----|-------|----|--------------|
| KVA     | KW | KVA   | KW |              |
| 31.3    | -  | 27    | 28 |              |



### موتور دیزل

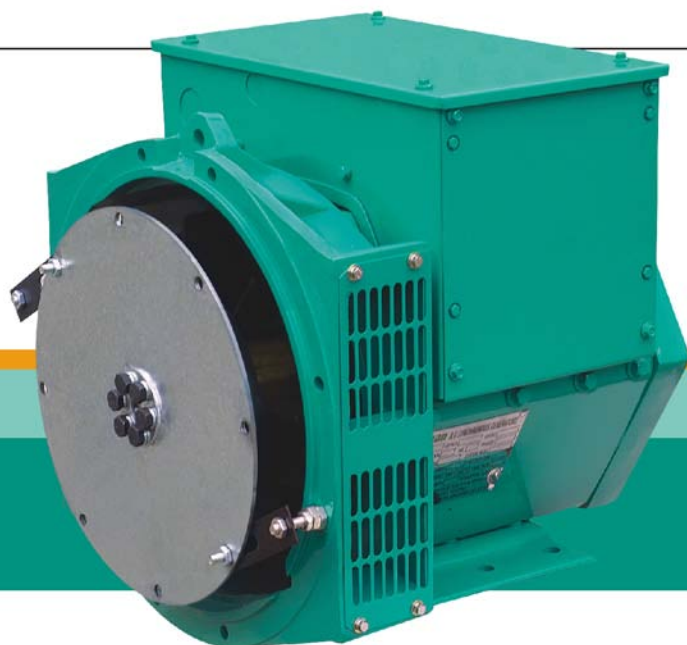
|                       |                   |                          |
|-----------------------|-------------------|--------------------------|
| Manufacturer          | Lovol             | تولید کننده              |
| Type                  | 1003G             | تیپ                      |
| Number of cylinders   | 4                 | تعداد سیلندر ها          |
| Cylinder arrangement  | Vertical, in-line | آرایش سیلندر ها          |
| Displacement , Liters | 2.99              | جا به جایی               |
| Bore × Stroke , mm    | 100 x 127         | قطر سیلندر × کورس پیستون |
| Compression Ratio     | 16.5:1            | نسبت تراکم               |
| Combustion System     | direct injection  | سیستم احتراق             |
| Aspiration            | -                 | سیستم تنفس               |
| Cooling System        | -                 | سیستم فنک کاری           |
| Rotation              | -                 | چرخش                     |
| Engine power (kw)     | 30.1              | قدرت موتور               |

### ژنراتور

|                                     |                |                            |
|-------------------------------------|----------------|----------------------------|
| Manufacturer                        | StamFord Power | تولید کننده                |
| Type                                | SLG184G        | تیپ                        |
| Standby power at rated voltage, KVA | 31.3           | توان Standby در ولتاژ نامی |
| Power factor                        | 0.8            | ضریب قدرت                  |
| Phase                               | 3              | فاز                        |
| Frequency, Hz                       | 50             | فرکانس                     |

# NEW ERA SLG

系列三相无刷同步发电机  
SERIES THREE-PHASE BRUSHLESS  
SYNCHRONOUS ALTERNATOR



## SLG184 TECHNICAL DATA SHEET

### 50Hz CLASS "H"

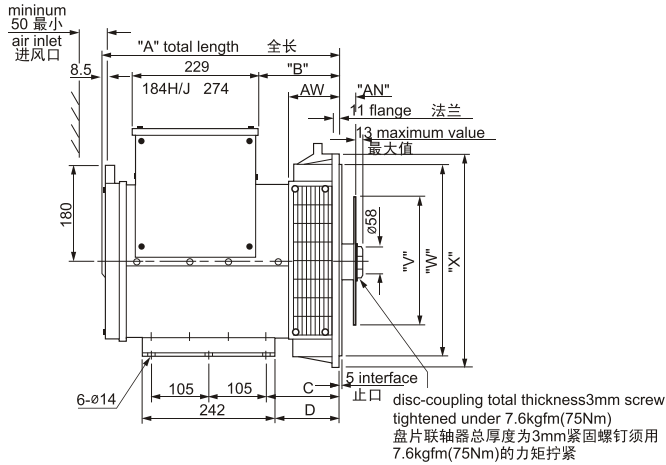
| RATINGS                                     | 绕组形式 311 / 功率因数0.8<br>Winding 311 / 0.8 Power Factor |     |      |     |      |    |                                 |    |      |      |      |             | 绕组形式05<br>Winding 05            |      |              |      |      |      |
|---|--|-----|------|-----|------|----|---------------------------------|----|------|------|------|-------------|---------------------------------|------|--------------|------|------|------|
|   | 持续/125k/40°C<br>Cont./125K/40°C                      |     |      |     |      |    | 持续/125k/40°C<br>Cont./125K/40°C |    |      |      |      |             | 持续/125k/40°C<br>Cont./125K/40°C |      |              |      |      |      |
| 定额/温升/环温T°<br>Duty / Temp Rise / Ambient T° | 三相<br>3 PHASE  |     |      |     |      |    | 单相<br>1 PHASE                   |    |      |      |      |             | 单相<br>1 PHASE                   |      |              |      |      |      |
| 相数<br>PHASE                                 | 三相<br>3 PHASE  |     |      |     |      |    | 单相<br>1 PHASE                   |    |      |      |      |             | 单相<br>1 PHASE                   |      |              |      |      |      |
| 星形串联<br>SERIES STAR                         | 380  | 400 | 415  | 440 |      |    |                                 |    |      |      |      |             |                                 |      | Power Factor |      |      |      |
| 星形并联<br>PARALLEL STAR                       | 190  | 200 | 208  | 220 |      |    |                                 |    |      |      |      |             |                                 | 0.8  | 1            |      |      |      |
| 三角形串联<br>SERIES DELTA                       | 220  | 230 | 240  | 254 |      |    |                                 |    |      |      |      |             |                                 |      |              |      |      |      |
| 双三角形并联<br>DOUBLE DELTA                      |  |     |      |     |      |    |                                 |    | 220  | 230  | 240  | 220,230,240 |                                 |      |              |      |      |      |
|   | KVA  | KW  | KVA  | KW  | KVA  | KW | KVA                             | KW | KVA  | KW   | KVA  | KW          | KVA                             | KW   | KVA          | KW   | KVA  | KW   |
| SLG184E                                     | 22.5   | 18  | 22.5 | 18  | 22.5 | 18 | 17.5                            | 14 | 13   | 10.4 | 13   | 10.4        | 13                              | 10.4 | 15           | 12   | 16.6 | 16.6 |
| SLG184F                                     | 27.5   | 22  | 27.5 | 22  | 27.5 | 22 | 22.5                            | 18 | 16   | 12.8 | 16   | 12.8        | 16                              | 12.8 | 18.5         | 14.8 | 20   | 20   |
| SLG184G                                     | 31.3   | 25  | 31.3 | 25  | 31.3 | 25 | 27.5                            | 22 | 18.1 | 14.5 | 18.1 | 14.5        | 18.1                            | 14.5 | 21           | 16.8 | 22.8 | 22.8 |
| SLG184H                                     | 37.5   | 30  | 37.5 | 30  | 37.5 | 30 | 32.5                            | 26 | 21.7 | 17.4 | 21.7 | 17.4        | 21.7                            | 17.4 | 25           | 20   | 27   | 27   |
| SLG184J                                     | 40   | 32  | 40   | 32  | 40   | 32 | 35                              | 28 | 23.2 | 18.6 | 24.7 | 19.8        | 23.2                            | 18.6 | 28           | 22.4 | 30   | 30   |

### 60Hz CLASS "H"

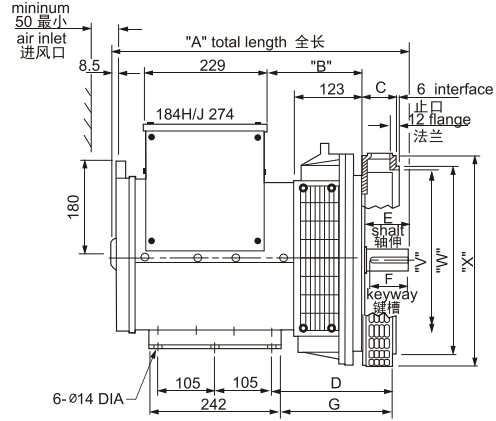
| RATINGS                                     | 绕组形式 311 / 功率因数0.8<br>Winding 311 / 0.8 Power Factor |      |      |      |      |      |                                 |      |      |      |      |             | 绕组形式05<br>Winding 05            |      |              |      |      |      |
|---|--|------|------|------|------|------|---------------------------------|------|------|------|------|-------------|---------------------------------|------|--------------|------|------|------|
|   | 持续/125k/40°C<br>Cont./125K/40°C                      |      |      |      |      |      | 持续/125k/40°C<br>Cont./125K/40°C |      |      |      |      |             | 持续/125k/40°C<br>Cont./125K/40°C |      |              |      |      |      |
| 定额/温升/环温T°<br>Duty / Temp Rise / Ambient T° | 三相<br>3 PHASE  |      |      |      |      |      | 单相<br>1 PHASE                   |      |      |      |      |             | 单相<br>1 PHASE                   |      |              |      |      |      |
| 相数<br>PHASE                                 | 三相<br>3 PHASE  |      |      |      |      |      | 单相<br>1 PHASE                   |      |      |      |      |             | 单相<br>1 PHASE                   |      |              |      |      |      |
| 星形串联<br>SERIES STAR                         | 416  | 440  | 460  | 480  |      |      |                                 |      |      |      |      |             |                                 |      | Power Factor |      |      |      |
| 星形并联<br>PARALLEL STAR                       | 208  | 220  | 230  | 240  |      |      |                                 |      |      |      |      |             |                                 | 0.8  | 1            |      |      |      |
| 三角形串联<br>SERIES DELTA                       | 240  | 254  | 266  | 277  |      |      |                                 |      |      |      |      |             |                                 |      |              |      |      |      |
| 双三角形并联<br>DOUBLE DELTA                      |  |      |      |      |      |      |                                 |      | 220  | 230  | 240  | 220,230,240 |                                 |      |              |      |      |      |
|   | KVA  | KW   | KVA  | KW   | KVA  | KW   | KVA                             | KW   | KVA  | KW   | KVA  | KW          | KVA                             | KW   | KVA          | KW   | KVA  | KW   |
| SLG184E                                     | 27.5   | 22   | 28.8 | 23   | 28.8 | 23   | 30                              | 24   | 14.6 | 11.7 | 15.3 | 12.2        | 16                              | 12.8 | 18.4         | 14.7 | 21   | 21   |
| SLG184F                                     | 32.5   | 26   | 34.4 | 27.5 | 34.4 | 27.5 | 35                              | 28   | 17.2 | 13.8 | 18   | 14.4        | 18.8                            | 15   | 21.9         | 17.5 | 25.6 | 25.6 |
| SLG184G                                     | 35   | 28   | 37.5 | 30   | 37.5 | 30   | 37.5                            | 30   | 18.7 | 15   | 19.5 | 15.6        | 20.3                            | 16.2 | 25           | 20   | 30   | 30   |
| SLG184H                                     | 44.3   | 35.4 | 46.9 | 37.5 | 46.9 | 37.5 | 46.9                            | 37.5 | 23.6 | 18.9 | 24.6 | 19.7        | 25.7                            | 20.6 | 31.3         | 25   | 35   | 35   |
| SLG184J                                     | 47.3   | 37.8 | 50   | 40   | 50   | 40   | 50                              | 40   | 25   | 20   | 26.3 | 21          | 27.4                            | 21.9 | 35           | 28   | 40   | 40   |

# SLG184 外形图 External dimension

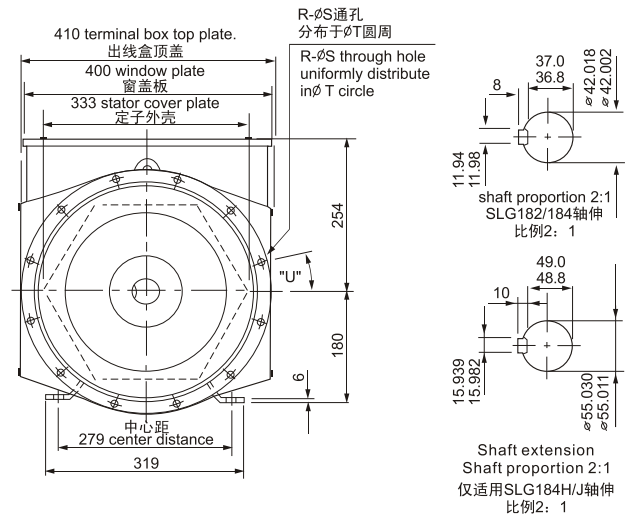
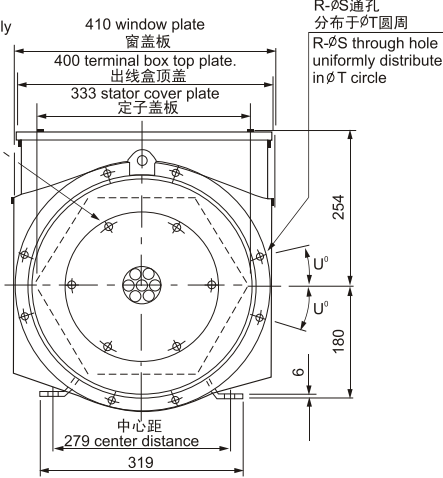
## 单轴承 SINGLE BEARING



## 双轴承 DOUBLE BEARING



AR-øAS通孔均布于øAT圆周  
AR-øAS through-hole uniformly distribute in øAT circle



| DIMENSION 尺寸(mm) |       |       |       |       |      |      |      |      |                      |     |               |
|------------------|-------|-------|-------|-------|------|------|------|------|----------------------|-----|---------------|
| 型号<br>Model      | A     |       |       |       | B    |      |      |      | N.W/G.W<br>(kg) (kg) |     | LXWXH<br>(mm) |
|                  | SAE2  | SAE3  | SAE4  | SAE5  | SAE2 | SAE3 | SAE4 | SAE5 |                      |     |               |
| SLG184E          | 471   | 443.5 | 431.5 | 443.5 | 186  | 159  | 147  | 159  | 120                  | 133 | 565X485X620   |
| SLG184F          | 561   | 533.5 | 521.5 | 553.5 | 276  | 249  | 237  | 269  | 150                  | 156 | 675X510X620   |
| SLG184G          | 561   | 533.5 | 521.5 | 553.5 | 276  | 249  | 237  | 269  | 156                  | 172 | 675X510X620   |
| SLG184H          | 620.5 | 593.5 | 581.5 | 613.5 | 291  | 264  | 252  | 284  | 216                  | 226 | 740X510X620   |
| SLG184J          | 620.5 | 593.5 | 581.5 | 613.5 | 291  | 264  | 252  | 284  | 226                  | 236 | 740X510X620   |

| DIMENSION 尺寸(mm) |         |       |     |     |     |     |     |             |             |               |
|------------------|---------|-------|-----|-----|-----|-----|-----|-------------|-------------|---------------|
| 型号<br>Model      | A       | B     | C   | D   | E   | F   | G   | N.W<br>(kg) | G.W<br>(kg) | LXWXH<br>(mm) |
|                  | SLG184E | 551.5 | 177 | 65  | 228 | 82  | 77  | 212         | 131         | 141           |
| SLG184F          | 641.5   | 267   | 65  | 228 | 82  | 77  | 212 | 154         | 164         | 740X510X620   |
| SLG184G          | 641.5   | 267   | 65  | 228 | 82  | 77  | 212 | 170         | 180         | 740X510X620   |
| SLG184H          | 734.5   | 282   | 105 | 268 | 110 | 100 | 252 | 220         | 230         | 820X510X620   |
| SLG184J          | 734.5   | 282   | 105 | 268 | 110 | 100 | 252 | 230         | 240         | 820X510X620   |

| FLANGE 法兰式过渡套件 (mm) |             |     |    |       |      |       |     |             |             |
|---------------------|-------------|-----|----|-------|------|-------|-----|-------------|-------------|
| S.A.E.NO.           | AW          | R   | S  | T     | U°   | W     | X   | C           | D           |
| 2                   | 132.3       | 12  | 11 | 466.7 | 15   | 447.6 | 489 | 172         | 156         |
| 3                   | 105         | 8** | 11 | 428.6 | 15   | 409.5 | 451 | 145         | 129         |
| 4                   | 93          | 8   | 11 | 381.0 | 15   | 361.9 | 402 | 133         | 117         |
| 5                   | 125(105)*** | 8   | 11 | 333.3 | 22.5 | 314.3 | 356 | 165(145)*** | 149(129)*** |
| 6*                  | 136.7       | 8   | 11 | 285.8 | 22.5 | 266.7 | 308 | 176.7       | 160.7       |

| FLANGE 法兰式过渡套件 (mm) |    |      |       |      |     |        |     |
|---------------------|----|------|-------|------|-----|--------|-----|
| S.A.E.NO.           | R  | S    | T     | U°   | V   | W      | X   |
| 1                   | 12 | 12.7 | 530.2 | 15   | 500 | 511.17 | 553 |
| 2                   | 12 | 11   | 466.7 | 15   | 432 | 447.6  | 495 |
| 3                   | 12 | 11   | 428.6 | 15   | 396 | 409.5  | 451 |
| 4                   | 12 | 11   | 381.0 | 15   | 352 | 361.9  | 403 |
| 5                   | 8  | 11   | 333.3 | 22.5 | 301 | 314.3  | 356 |

注:\*SAE6需另加一厚31.7mm的过渡板,故"A"尺寸也相应增加31.7mm  
 \*\*SAE3的8个孔分布于12等分的圆周上  
 \*\*\*SLG184E的AW尺寸为105, C尺寸为145, D尺寸为129  
 NOTE:\* "A" dimension should extend 31.7mm corresponding to an additional spacer plate added on SAE6  
 \*\* 8 holes of SAE3 uniformly distribute on the circle spaced as 12.  
 \*\*\* The AW dimension of 184E should be 105,C dimension is 145,D dimension is 129.

注:SAE5不适用于SLG 184H/J

| DISC COUPLING 盘片式联轴器 (mm) |       |    |      |       |       |
|---------------------------|-------|----|------|-------|-------|
| S.A.E.NO.                 | AN    | AR | AS   | AT    | V     |
| 6.5 Δ                     | 30.16 | 6  | 8.7  | 200.0 | 215.8 |
| 7.5 Δ                     | 30.16 | 8  | 8.7  | 222.2 | 241.2 |
| 8                         | 61.9  | 6  | 11   | 244.5 | 263.4 |
| 10                        | 53.98 | 8  | 11   | 295.3 | 314.2 |
| 11.5                      | 39.68 | 8  | 11   | 333.4 | 352.3 |
| 14 Δ                      | 25.4  | 8  | 13.5 | 438.2 | 466.5 |

| SINGLE BEARING SAE NO SELECTOR 单轴承驱动片和过渡法兰配套表 |         |         |       |        |          |
|---|---------|---------|-------|--------|----------|
|   | SAE 6.5 | SAE 7.5 | SAE 8 | SAE 10 | SAE 11.5 |
| SAE 3   | ●       | ●       |       | ●      | ●        |
| SAE 4   |         | ●       | ●     |        |          |
| SAE 5   | ●       | ●       |       |        |          |
| SAE 6   | ●       |         |       |        |          |

注: SAE14仅适用于SLG184H/J铁心;SAE6.5,7.5不适用SLG184H/J铁心  
 NOTE: Δ SAE14 is applicable for SLG184H/J iron core;  
 SAE6.5&7.5 are not applicable for SLG184H/J iron core.



INHERITING FROM THE WORLD'S  
LEADING TECHNOLOGY

## 1003G POWER PACK ROTARY PUMP

**28 kWm 1500 rev/min**  
**30 kWm 1800 rev/min**  
**GENSET POWER**

### High Power Density

Power output and torque per liter are superior to normal level with optimized structure strengthening.

### Low Fuel Consumption

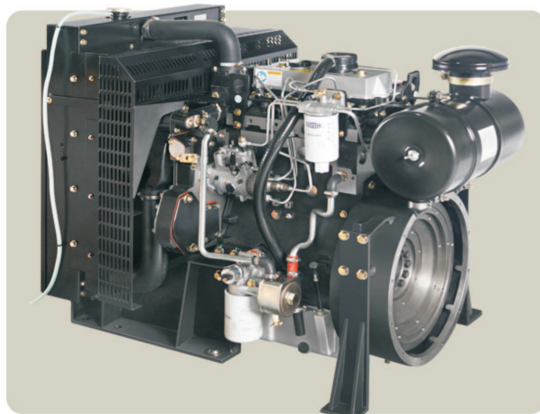
The excellent combustion system can reduce fuel consumption, emission and noise, meanwhile increase engine power output.

### Easy Maintenance

All routine service items are situated on the right hand side of engine allowing easy maintenance and minimum machine downtime.

### Durability & Reliability

Start normally at -10°C without preheated device, start smoothly at -25°C through flame glow plug cold start aid. Maximum cooling efficiency is provided by a gear driven water pump and independent fan drive. Leak free operation is ensured by Viton crankshaft seals and sophisticated controlled swell joints, giving protection in the toughest conditions.



| Engine Speed<br>(rev/min) | Type of<br>Operation | Typical<br>Generator<br>Output (Net) |    | Engine Power |      |      |      |
|---------------------------|----------------------|--------------------------------------|----|--------------|------|------|------|
|                           |                      |                                      |    | Gross        |      | Net  |      |
|                           |                      | kVA                                  | kW | kWm          | bh   | kWm  | bh   |
| 1500                      | prime power          | 27.5                                 | 22 | 30           | 40.2 | 28   | 37.6 |
|                           | standby power        | 32.5                                 | 26 | 32.8         | 44   | 30.8 | 41.3 |
| 1800                      | prime power          | 33.8                                 | 27 | 33           | 44   | 30   | 40.2 |
|                           | standby power        | 37.5                                 | 30 | 36           | 48.3 | 33   | 44.3 |

Rating Base: ISO 8528, GB/T2820  
Lubricating oil: API CF



INHERITING FROM THE WORLD'S  
LEADING TECHNOLOGY

### Standard Specification

**Air inlet**  
Mounted air filter

**Fuel system**  
Rotary fuel injection pump  
Spin-on full flow fuel filter and pre-filter

**Lubrication system**  
Flat bottomed aluminum sump  
Spin-on full flow oil filter  
Oil cooler

**Cooling system**  
Thermostat controlled cooling system  
with gear driven water pump  
Radiator  
20"belt-driven pusher fan and guards

**Electrical system**  
12 volt starter motor and alternator  
Oil pressure and water temperature  
switch & sensor  
12 volt shut down solenoid

**Flywheel and housing**  
High inertia flywheel, size : 10/11 1/2  
SAE3 flywheel housing

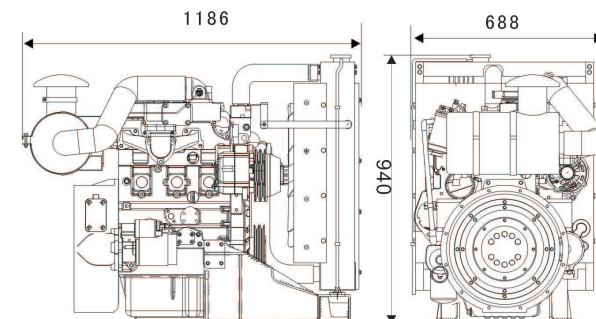
**Mountings**  
Front engine mounting bracket

**Optional Equipment**  
24 volt alternator  
24 volt starter motor



TIANJIN LOVOL ENGINES CO., LTD.  
77 Gaoxin Avenue, Beichen Hi-tech Industrial  
park, Beichen district, Tianjin.  
Tel: +86(0)22 26899125/26996802  
Fax: +86(0)22 86993260  
Email: lovolengines@lovolengines.com  
www.lovolengines.com

All information in this document is substantially  
correct at the time of printing and may be altered  
subsequently.



### General Data

|                                     |                           |
|-------------------------------------|---------------------------|
| Cylinder number                     | 3                         |
| Cylinder arrangement                | Vertical, in-line         |
| Bore×stroke                         | 100 mm×127 mm             |
| Displacement                        | 2.99 liters               |
| Induction                           | Naturally aspirated       |
| Cycle                               | 4-stroke                  |
| Combustion system                   | Direct injection          |
| Compression ratio                   | 16.5:1                    |
| Direction of Rotation               | Clockwise viewed from fan |
| Lub. System Capacity                | 8.1 liters                |
| Coolant capacity<br>(inc. radiator) | 15.9 liters               |
| Length                              | 1186 mm                   |
| Width                               | 688 mm                    |
| Height                              | 940 mm                    |
| net weight                          | 410 kg                    |

Final weight and dimensions will depend on final specification.

Distributed by